

Preliminary DATA SHEET

CFORTH-SFP+-32-40

10GBd SFP+ Tx1330nm/Rx1270nm 40km Bi-directional Transceiver

CFORTH-SFP+-32-40 Overview

CFORTH-SFP+-32-40 SFP+ optical transceivers are based on 10G Ethernet IEEE 802.3ae standard and SFF 8431 standard, and provide a quick and reliable interface for the 10G Ethernet application. The Digital diagnostics functions are available via 2-wire serial bus specified in the SFF 8472.

Product Features

- Up to 10.7 GBd bi-directional data links
- Compliant with IEEE 802.3ae 10GBASE-LR/LW
- Compliant with 10GFC
- Compliant with SFF8431
- Hot-pluggable SFP+ footprint
- 1330nm DFB laser transmitter and 1270nm APD Receiver
- Simplex LC connector
- Built-in digital diagnostic functions
- Up to 40km on SMF
- Single power supply 3.3V
- RoHS Compliance
- Operating temperature range: 0°C to 70°C.

Applications

- 10GBASE-LR/LW Ethernet
- 10GFC

Ordering Information

<i>Part Number</i>	<i>Description</i>
CFORTH-SFP+-32-40	10G SFP+ BIDI, TX1330nm/RX1270nm, LC Connectors 40km on SMF, with DOM function.

General Specifications

<i>Parameter</i>	<i>Symbol</i>	<i>Min</i>	<i>Typ</i>	<i>Max</i>	<i>Unit</i>	<i>Remarks</i>
Data Rate	<i>DR</i>		10.3125		GBd	IEEE 802.3ae
Bit Error Rate	<i>BER</i>			10^{-12}		
Operating Temperature	<i>T_{OP}</i>	0		70	°C	Case temperature
Storage Temperature	<i>T_{STO}</i>	- 40		85	°C	Ambient temperature
Supply Current	<i>I_S</i>		250	280	mA	For electrical power interface
Input Voltage	<i>V_{CC}</i>	3	3.3	3.6	V	
Maximum Voltage	<i>V_{MAX}</i>	- 0.5		4	V	For electrical power interface

Link Distances

<i>Parameter</i>	<i>Fiber Type</i>	<i>Distance Range (Km)</i>
10.3125 GBd	9/125um SMF	40

Optical Characteristics – Transmitter*V_{CC}=3V to 3.6V, T_C=0°C to 70°C*

<i>Parameter</i>	<i>Symbol</i>	<i>Min</i>	<i>Typ</i>	<i>Max</i>	<i>Unit</i>	<i>Remarks</i>
Output Optical Power	<i>P_{TX}</i>	- 3		4	dBm	Average
Optical Center Wavelength	<i>λ_C</i>	1320	1330	1340	nm	
Optical Modulation Amplitude	<i>OMA</i>	- 5.2				Per IEEE 802.3ae
Extinction Ratio	<i>ER</i>	3	5.5		dB	
Spectral Width (- 20 dB)	<i>Δλ</i>			0.6	nm	
Side Mode Suppression Ratio	<i>SMSR</i>	30			dB	
Relative Intensity Noise	<i>RIN</i>			- 128	dB/Hz	
Transmitter Dispersion Penalty	<i>TDP</i>			3.2	dB	
Transmitter Jitter		According to IEEE 802.3ae requirement				
Launch Power of OFF Transmitter	<i>P_{OUT_OFF}</i>			- 30	dBm	Average

Optical Characteristics – Receiver*V_{CC}=3V to 3.6V, T_C=0°C to 70°C*

<i>Parameter</i>	<i>Symbol</i>	<i>Min</i>	<i>Typ</i>	<i>Max</i>	<i>Unit</i>	<i>Remarks</i>
Optical Center Wavelength	<i>λ_C</i>	1260	1270	1280	nm	
Optical Input Power	<i>P_{IN}</i>	-19.2		-9	dBm	Average, Informative
Receiver Sensitivity (OMA)@ 10.3GBd	<i>R_{X_SEN1}</i>			- 19.2	dBm	Measured with ER=5: BER<10 ⁻¹² 2 ³¹ -1 PRBS
Receiver Reflectance	<i>TR_{RX}</i>			- 12	dB	
LOS Assert	<i>LOS_A</i>	- 30			dBm	
LOS De-Assert	<i>LOS_D</i>			- 21	dBm	
LOS Hysteresis		0.5			dB	

Electrical Characteristics – Transmitter $V_{CC}=3V$ to $3.6V$, $T_c=0\text{ }^{\circ}\text{C}$ to $70\text{ }^{\circ}\text{C}$

<i>Parameter</i>	<i>Symbol</i>	<i>Min</i>	<i>Typ</i>	<i>Max</i>	<i>Unit</i>	<i>Remarks</i>
Input differential impedance	R_{IN}		100		Ω	Non condensing
Single ended data input swing	V_{IN_PP}	250		800	mV	
Transmit disable voltage	V_D	2		V_{CC}	V	
Transmit enable voltage	V_{EN}	V_{EE}		$V_{EE}+0.8$	V	

Electrical Characteristics – Receiver $V_{CC}=3V$ to $3.6V$, $T_c=0\text{ }^{\circ}\text{C}$ to $70\text{ }^{\circ}\text{C}$

<i>Parameter</i>	<i>Symbol</i>	<i>Min</i>	<i>Typ</i>	<i>Max</i>	<i>Unit</i>	<i>Remarks</i>
Single ended data output swing	V_{OUT_PP}	150	300	425	mV	
Data output rise time (20%-80%)	T_R		30		ps	
Data output fall time (20%-80%)	T_F		30		ps	
LOS Fault	V_{LOS_Fault}	2		V_{CC_HOST}	V	
LOS Normal	V_{LOS_normal}	V_{EE}		$V_{EE}+0.5$	V	

Digital Diagnostic Functions

CFORTH-SFP+-32-40 support the 2-wire serial communication protocol as defined in the SFF 8472. Digital diagnostic information are accessible over the 2-wire interface at the address 0xA2. Digital Diagnostics for CFORTH-SFP+-32-40 are internally calibrated by default. A micro controller unit inside the transceiver gathers the monitoring information and reports the status of transceiver.

Transceiver Temperature, internally measured, represented as a 16 bit signed twos complement value in increments of 1/256 degrees Celsius, Temperature accuracy is better than ± 3 degrees Celsius over specified operating temperature and voltage.

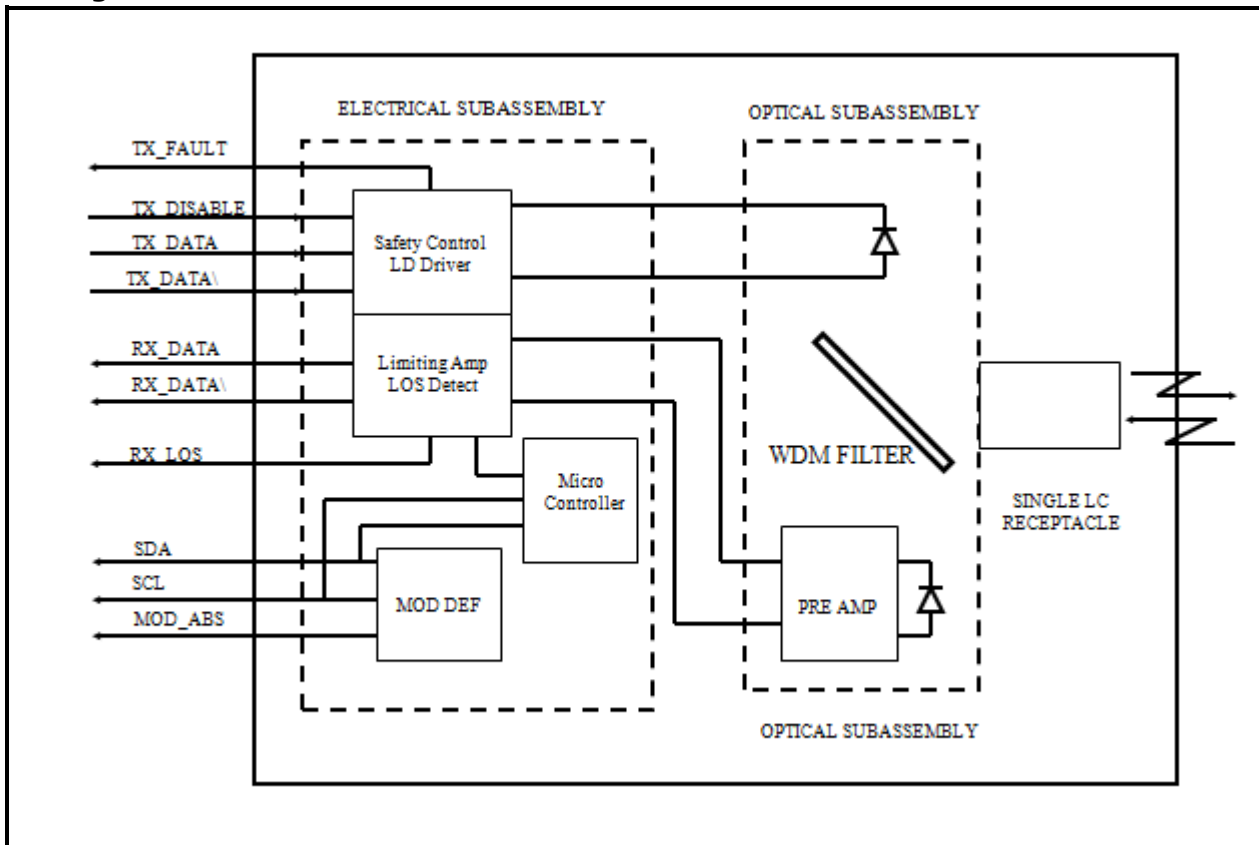
Transceiver Supply Power, internally measured, represented as a 16 bit unsigned integer with the voltage defined as the full 16 bit value (0 – 65535) with LSB equal to 100 μ Volt, yielding a total range of 0 to +6.55 Volts.

Transceiver TX bias current, internally measured, represented as a 16 bit unsigned integer with the current defined as the full 16 bit value (0 – 65535) with LSB equal to 2 μ A, yielding a total range of 0 to 131mA. Accuracy is better than $\pm 10\%$ over specified operating temperature and voltage.

Transceiver TX output power, internally measured, represented as a 16 bit unsigned integer with the power defined as the full 16 bit value (0 – 65535) with LSB equal to 0.1 μ W. Data is assumed to be based on measurement of laser monitor photodiode current. Accuracy is better than ± 3 dB over specified temperature and voltage. Data is not valid when the transmitter is disabled.

Transceiver RX received optical power, internally measured, represented as a 16 bit unsigned integer with the power defined as the full 16 bit 35 value (0 – 65535) with LSB equal to 0.1 μ W. Accuracy is better than ± 3 dB over specified temperature and voltage.

Block Diagram of Transceiver



Transmitter Section

The Laser driver accept differential input data and provide bias and modulation currents for driving a laser. An automatic power-control (APC) feedback loop is incorporated to maintain a constant average optical power.1330 DFB in an eye safe optical subassembly (OSA) mates to the fiber cable.

TX_DISABLE

The TX_DISABLE signal is high (TTL logic "1") to turn off the laser output. The laser will turn on within 1ms when TX_DISABLE is low (TTL logic "0").

TX_FAULT

When the TX_FAULT signal is high, output indicates a laser fault of some kind. Low indicates normal operation.

Receiver Section

The receiver utilizes a APD detector integrated with a trans-impedance preamplifier in an OSA. This OSA is connected to a Limiting Amplifier which providing post-amplification quantization, and optical signal detection. The limiting Amplifier is AC-coupled to the trans-impedance amplifier, with internal 100Ω differential termination.

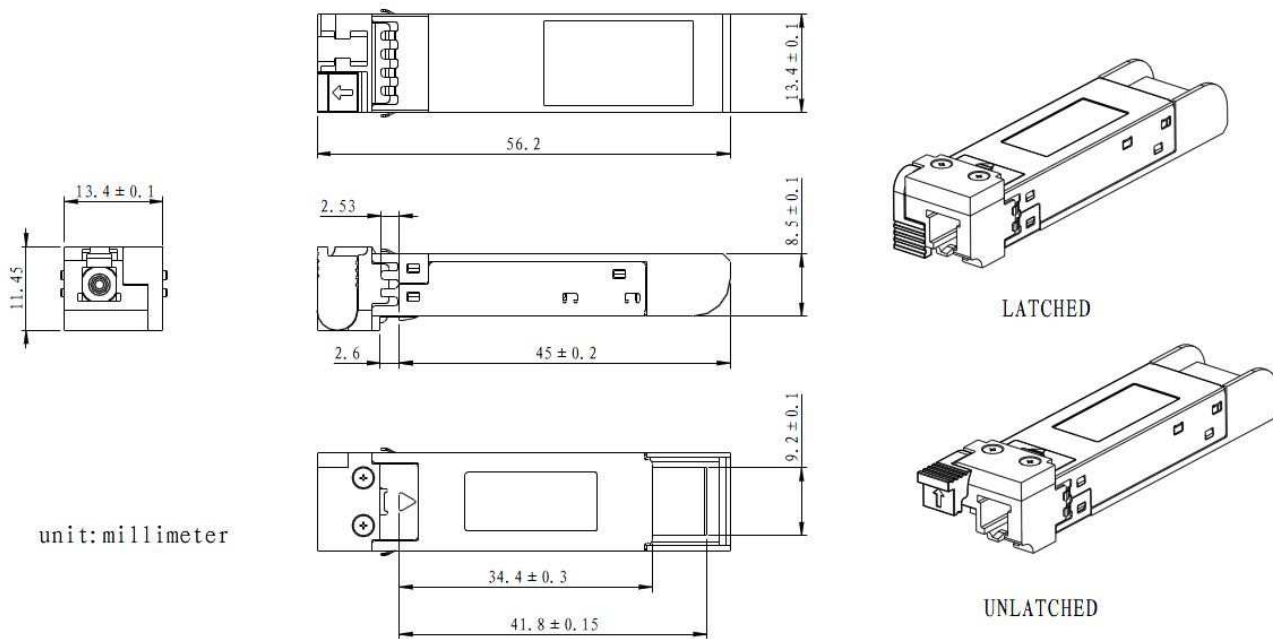
Receive Loss (RX_LOS)

The RX_LOS is high (logic "1") when there is no incoming light from the companion transceiver. This signal is normally used by the system for the diagnostic purpose. The signal is operated in TTL level.

Controller Section

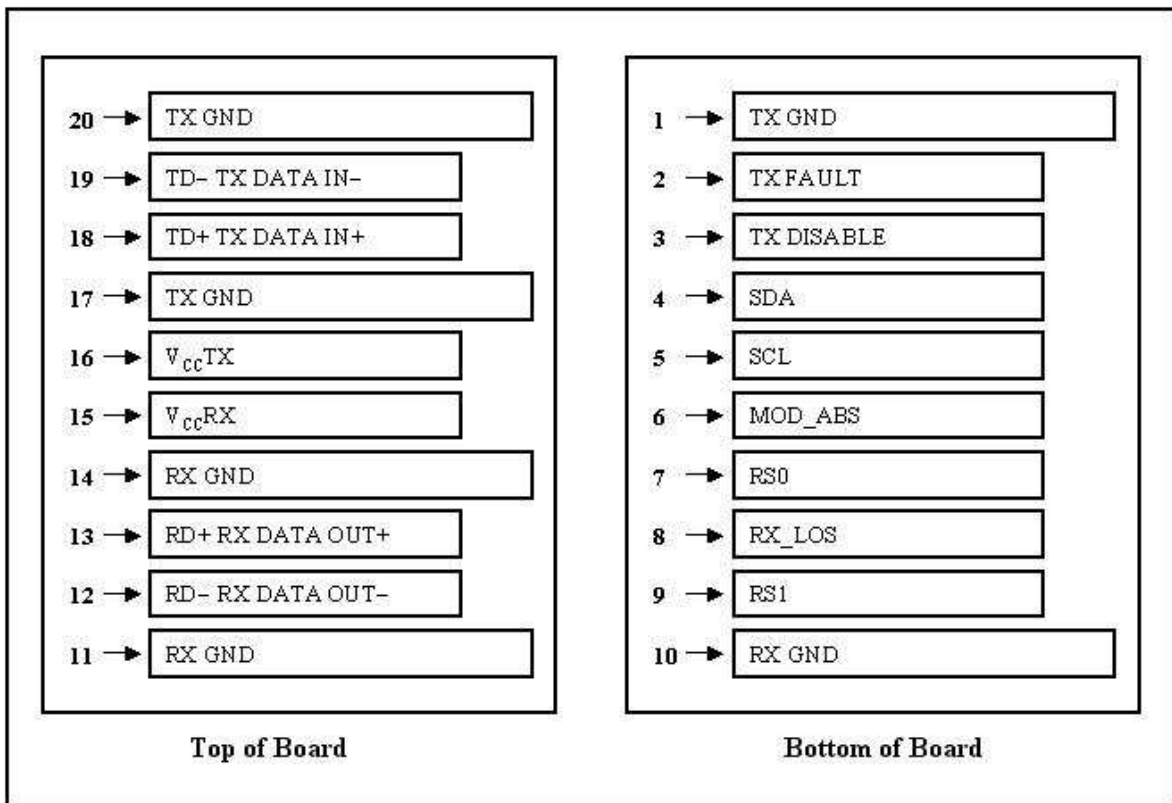
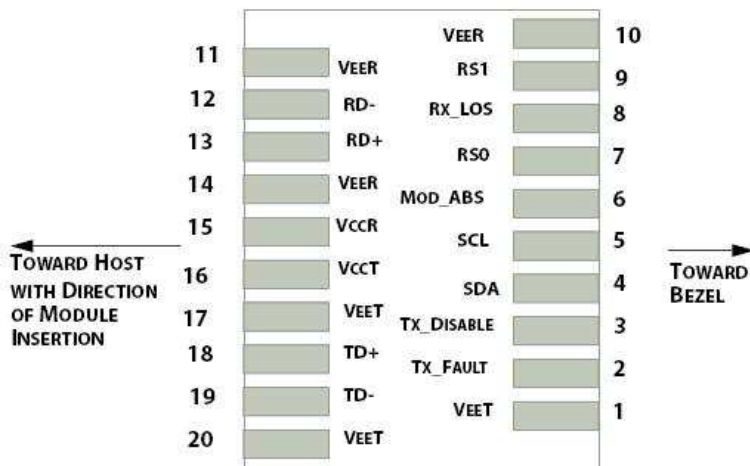
The micro controller unit monitors the operation information of LD driver and Limiting Amplifier. And report these status to the customer.

Dimensions



**ALL DIMENSIONS ARE ±0.2mm UNLESS OTHERWISE SPECIFIED
UNIT: mm**

Electrical Pad Layout



Pin Assignment

PIN #	Symbol	Description	Remarks
1	V _{EET}	Transmitter ground (common with receiver ground)	Circuit ground is isolated from chassis ground
2	T _{FAULT}	Transmitter Fault.	
3	T _{DIS}	Transmitter Disable. Laser output disable on high or open	Disabled: T _{DIS} >2V or open Enabled: T _{DIS} <0.8V
4	SDA	Data line for serial ID	Should Be pulled up with
5	SCL	Clock line for serial ID	4.7k – 10k ohm on host
6	MOD_ABS	Module Absent. Grounded within the module	board to a voltage between 2V and 3.6V
7	RS0	No connection required	
8	LOS	Loss of Signal indication. Logic 0 indicates normal operation	LOS is open collector output
9	RS1	No connection required	
10	V _{EER}	Receiver ground (common with transmitter ground)	Circuit ground is isolated from chassis ground
11	V _{EER}	Receiver ground (common with transmitter ground)	
12	RD-	Receiver Inverted DATA out. AC coupled	
13	RD+	Receiver Non-inverted DATA out. AC coupled	
14	V _{EER}	Receiver ground (common with transmitter ground)	Circuit ground is isolated from chassis ground
15	V _{CCR}	Receiver power supply	
16	V _{CCT}	Transmitter power supply	
17	V _{EET}	Transmitter ground (common with receiver ground)	Circuit ground is isolated from chassis ground
18	TD+	Transmitter Non-Inverted DATA in. AC coupled	
19	TD-	Transmitter Inverted DATA in. AC coupled	
20	V _{EET}	Transmitter ground (common with receiver ground)	Circuit ground is isolated from chassis ground

References

1. IEEE standard 802.3ae. IEEE Standard Department, 2005.
2. Enhanced 8.5 and 10 Gigabit Small Form Factor Pluggable Module "SFP+" – SFF-8431
3. Digital Diagnostics Monitoring Interface for Optical Transceivers – SFF-8472.