

Preliminary DATA SHEET**CFORTH-SFP-45-80****1.25GBd SFP (Small Form Pluggable) Tx1490nm/Rx1550nm Bi-directional 80KM.****CFORTH-SFP-45-80 Overview**

CFORTH-SFP-45-80 SFP-BIDI optical transceivers are based on Gigabit Ethernet IEEE 802.3 standard and Fiber Channel FC-PI-2 Rev 7.0 and provide a quick and reliable interface for the GE/FC application. The Digital diagnostics functions are available via 2-wire serial bus specified in the SFP MSA. In addition, they comply with the Small Form Factor Pluggable Multi Sourcing Agreement (MSA) and SFF-8472.

Product Features

- Up to 1.25 GBd bi-directional data links
- Single LC connector
- Compliant with IEEE 802.3z Gigabit Ethernet
- Compliant with SFP MSA
- Hot-pluggable SFP footprint
- 1490nm DFB laser transmitter
- Built-in digital diagnostic functions
- Up to 80km on 9/125um SMF
- Single power supply 3.3V
- RoHS Compliance
- Class 1 laser product complies with EN 60825-1
- Operating temperature range: 0°C to 70°C.

**Applications**

- 1.25 GBd Gigabit Ethernet
- 1.063 GBd Fiber Channel

Ordering Information

Part Number	Description
CFORTH-SFP-45-80	GE/FC, SFP-BIDI, Single LC Connector, Tx1490nm/Rx1550nm, 80KM, with DOM function.

General Specifications

<i>Parameter</i>	<i>Symbol</i>	<i>Min</i>	<i>Typ</i>	<i>Max</i>	<i>Unit</i>	<i>Remarks</i>
Data Rate	<i>DR</i>		1.25 1.062		GBd	IEEE 802.3 FC-PI-2 Rev7.0
Bit Error Rate	<i>BER</i>			10^{-12}		
Operating Temperature	<i>T_{OP}</i>	0		70	°C	Case temperature
Storage Temperature	<i>T_{STO}</i>	- 40		85	°C	Ambient temperature
Supply Current	<i>I_S</i>		230	300	mA	For electrical power interface
Input Voltage	<i>V_{CC}</i>	3	3.3	3.6	V	
Maximum Voltage	<i>V_{MAX}</i>	- 0.5		4	V	For electrical power interface

Optical Characteristics – Transmitter*V_{CC}=3V to 3.6V, T_C=0°C to 70°C*

<i>Parameter</i>	<i>Symbol</i>	<i>Min</i>	<i>Typ</i>	<i>Max</i>	<i>Unit</i>	<i>Remarks</i>
Output Optical Power	<i>P_{TX}</i>	0		5	dBm	Class 1 Product
Optical Center Wavelength	<i>λ_C</i>	1480	1490	1500	nm	
Optical Modulation Amplitude	<i>OMA</i>	174			uW	Equivalent extinction ratio specification for FC
Extinction Ratio	<i>ER</i>	9			dB	
Spectral Width (-20dB)	<i>Δλ</i>			1	nm	
Side Mode Suppression Ratio	<i>SMSR</i>	30				
Optical Rise/Fall Time (20% - 80%)	<i>T_{RF_IN}</i>		150	260	ps	
Relative Intensity Noise	<i>RIN</i>			- 120	dB/Hz	
Deterministic Jitter Contribution	<i>TX_ΔDJ</i>		30	60	ps	
Total Jitter Contribution	<i>TX_ΔTJ</i>		60	120	ps	

Optical Characteristics – Receiver*V_{CC}=3V to 3.6V, T_C=0°C to 70°C*

<i>Parameter</i>	<i>Symbol</i>	<i>Min</i>	<i>Typ</i>	<i>Max</i>	<i>Unit</i>	<i>Remarks</i>
Optical Receiver Power	<i>P_{RX}</i>			0	dBm	Average
Optical Center Wavelength	<i>λ_C</i>	1540	1550	1560	nm	
Receiver Sensitivity @ 1.063GBd	<i>R_{X_SEN1}</i>			- 25	dBm	FC-PI-2 Rev7.0
Receiver Sensitivity @ 1.25GBd	<i>R_{X_SEN2}</i>			- 25	dBm	IEEE 802.3
Optical Return Loss	<i>ORL</i>	14			dB	
Optical Isolation	<i>ISO</i>			- 40	dB	
Loss of Signal-Asserted	<i>P_{LOS_A}</i>	- 30			dBm	
Loss of Signal-Deasserted	<i>P_{LOS_D}</i>			- 25	dBm	
Loss of Signal-Hysteresis		0.5			dB	

Electrical Characteristics – Transmitter $V_{CC}=3V$ to $3.6V$, $T_C=0\text{ }^{\circ}\text{C}$ to $70\text{ }^{\circ}\text{C}$

<i>Parameter</i>	<i>Symbol</i>	<i>Min</i>	<i>Typ</i>	<i>Max</i>	<i>Unit</i>	<i>Remarks</i>
Input differential impedance	R_{IN}		100		Ω	Non condensing
Single ended data input swing	V_{IN_PP}	250		1200	mV	
Transmit disable voltage	V_D	$V_{CC}-1.3$		V_{CC}	V	
Transmit enable voltage	V_{EN}	V_{EE}		$V_{EE}+0.8$	V	
Transmit disable assert time				10	us	

Electrical Characteristics – Receiver $V_{CC}=3V$ to $3.6V$, $T_C=0\text{ }^{\circ}\text{C}$ to $70\text{ }^{\circ}\text{C}$

<i>Parameter</i>	<i>Symbol</i>	<i>Min</i>	<i>Typ</i>	<i>Max</i>	<i>Unit</i>	<i>Remarks</i>
Single ended data output swing	V_{OUT_PP}	300	400	800	mV	
Data output rise/fall time (20%-80%)	T_R			300	ps	
LOS Fault	V_{LOS_Fault}	$V_{CC}-0.5$		V_{CC_HOST}	V	
LOS Normal	V_{LOS_normal}	V_{EE}		$V_{EE}+0.5$	V	

Digital Diagnostic Functions

CFORTH-SFP-45-80 support the 2-wire serial communication protocol as defined in the SFP MSA. Digital diagnostic information are accessible over the 2-wire interface at the address 0xA2. Digital Diagnostics for CFORTH-SFP-45-80 are internally calibrated by default. A micro controller unit inside the transceiver gathers the monitoring information and reports the status of transceiver.

Transceiver Temperature, internally measured, represented as a 16 bit signed twos complement value in increments of 1/256 degrees Celsius, Temperature accuracy is better than ± 3 degrees Celsius over specified operating temperature and voltage.

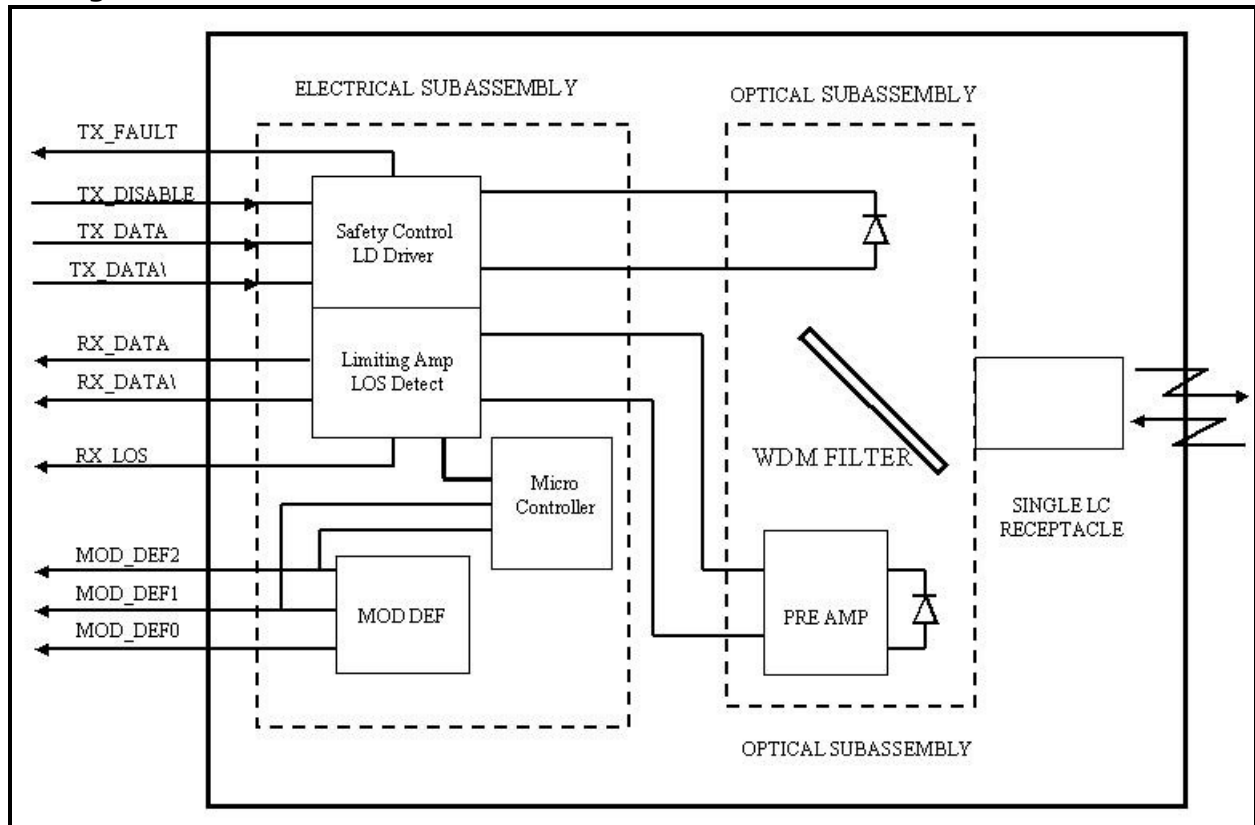
Transceiver Supply Power, internally measured, represented as a 16 bit unsigned integer with the voltage defined as the full 16 bit value (0 – 65535) with LSB equal to 100 μ Volt, yielding a total range of 0 to +6.55 Volts.

Transceiver TX bias current, internally measured, represented as a 16 bit unsigned integer with the current defined as the full 16 bit value (0 – 65535) with LSB equal to 2 μ A, yielding a total range of 0 to 131mA. Accuracy is better than $\pm 10\%$ over specified operating temperature and voltage.

Transceiver TX output power, internally measured, represented as a 16 bit unsigned integer with the power defined as the full 16 bit value (0 – 65535) with LSB equal to 0.1 μ W. Data is assumed to be based on measurement of laser monitor photodiode current. Accuracy is better than ± 3 dB over specified temperature and voltage. Data is not valid when the transmitter is disabled.

Transceiver RX received optical power, internally measured, represented as a 16 bit unsigned integer with the power defined as the full 16 bit 35 value (0 – 65535) with LSB equal to 0.1 μ W. Accuracy is better than ± 3 dB over specified temperature and voltage.

Block Diagram of Transceiver



Transmitter Section

The DFB driver accept differential input data and provide bias and modulation currents for driving a laser. An automatic power-control (APC) feedback loop is incorporated to maintain a constant average optical power. 1490 nm DFB in an eye safe optical subassembly (OSA) mates to the fiber cable.

TX_DISABLE

The TX_DISABLE signal is high (TTL logic "1") to turn off the laser output. The laser will turn on within 1ms when TX_DISABLE is low (TTL logic "0").

TX_FAULT

When the TX_FAULT signal is high, output indicates a laser fault of some kind. Low indicates normal operation.

Receiver Section

The receiver utilizes a PIN detector integrated with a trans-impedance preamplifier in an OSA. This OSA is connected to a Limiting Amplifier which providing post-amplification quantization, and optical signal detection. The limiting Amplifier is AC-coupled to the transimpedance amplifier, with internal 100Ω differential termination.

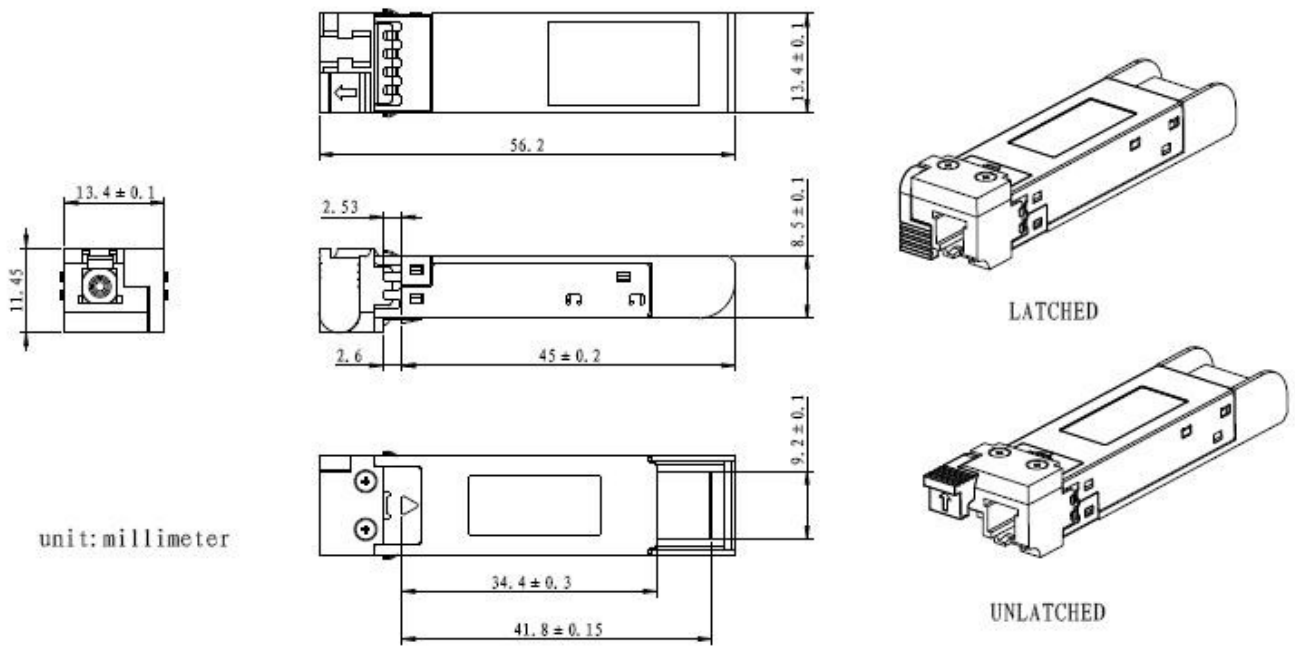
Receive Loss (RX_LOS)

The RX_LOS is high (logic "1") when there is no incoming light from the companion transceiver. This signal is normally used by the system for the diagnostic purpose. The signal is operated in TTL level.

Controller Section

The micro controller unit monitors the operation information of LD driver and Limiting Amplifier. And report these status to the customer.

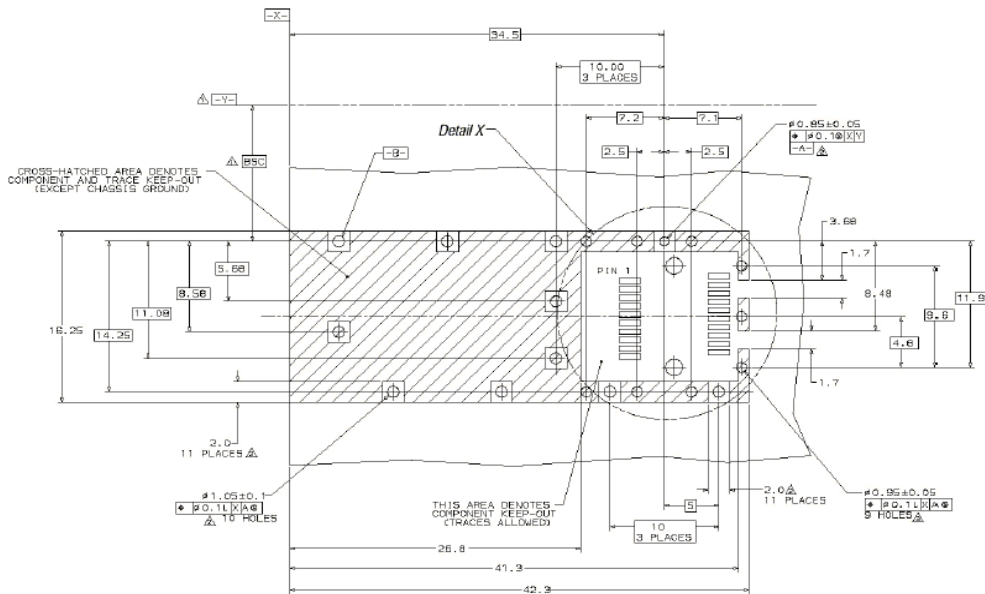
Dimensions



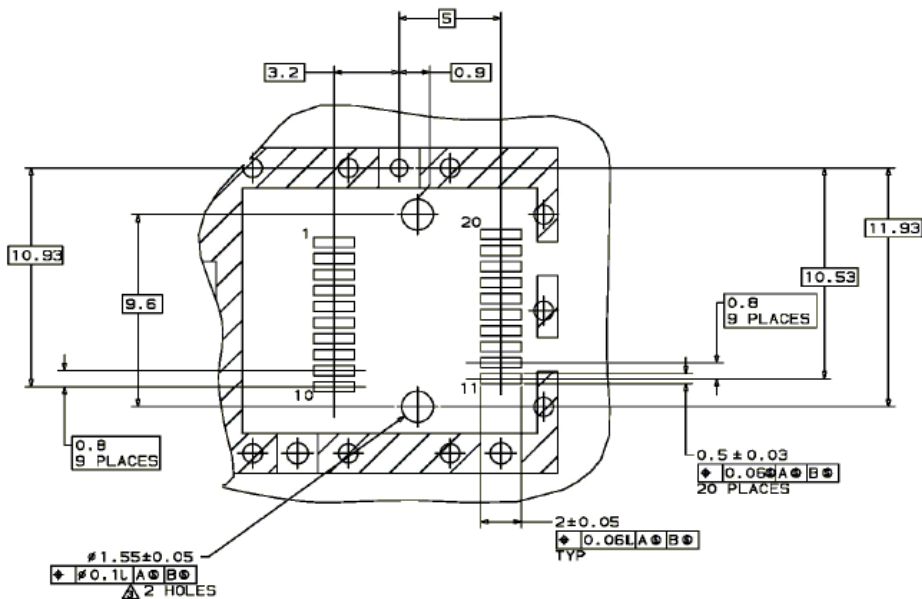
ALL DIMENSIONS ARE ± 0.2 mm UNLESS OTHERWISE SPECIFIED

UNIT: mm

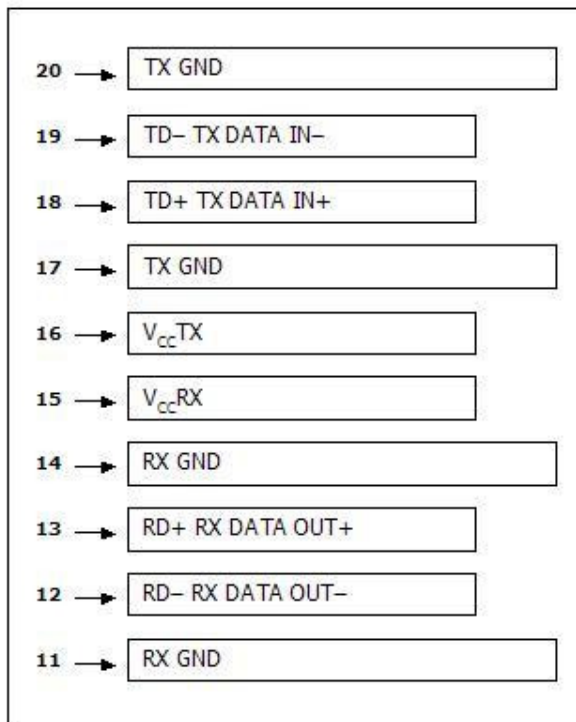
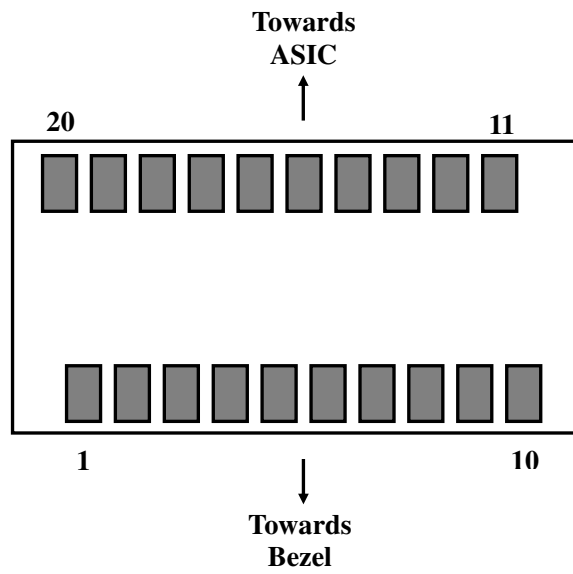
PCB Layout Recommendation



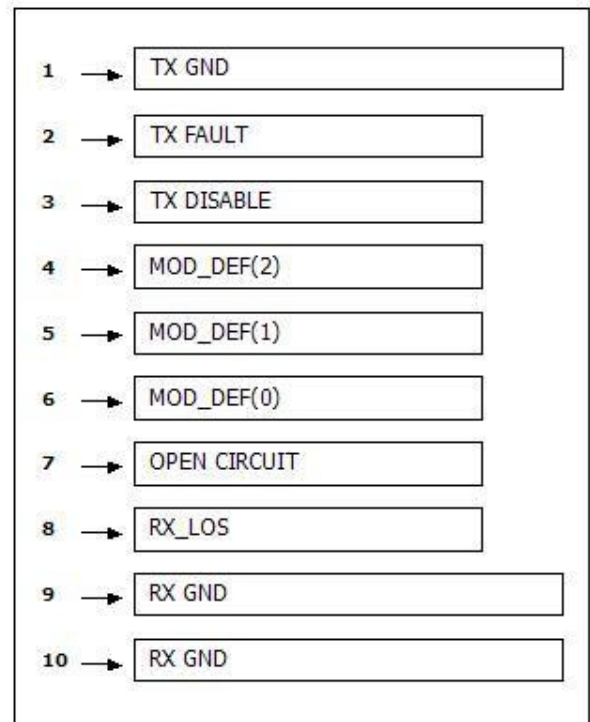
- ▲ Datum and Basic Dimension Established by Customer
- ▲ Rads and Vias are Chassis Ground, 11 Places
- ▲ Through Holes are Unplated



Electrical Pad Layout



Top of Board



Bottom of Board

Pin Assignment

PIN #	Symbol	Description	Remarks
1	V _{EET}	Transmitter ground (common with receiver ground)	Circuit ground is isolated from chassis ground
2	T _{FAULT}	Transmitter Fault.	
3	T _{DIS}	Transmitter Disable. Laser output disable on high or open	Disabled: T _{DIS} >2V or open Enabled: T _{DIS} <0.8V
4	MOD_DEF (2)	Module Definition 2. Data line for serial ID	Should Be pulled up with
5	MOD_DEF (1)	Module Definition 1. Clock line for serial ID	4.7k – 10k ohm on host
6	MOD_DEF (0)	Module Definition 0. Grounded within the module	board to a voltage between 2V and 3.6V
7	Rate Select	No connection required	
8	LOS	Loss of Signal indication. Logic 0 indicates normal operation	LOS is open collector output
9	V _{EER}	Receiver ground (common with transmitter ground)	
10	V _{EER}	Receiver ground (common with transmitter ground)	Circuit ground is isolated from chassis ground
11	V _{EER}	Receiver ground (common with transmitter ground)	
12	RD–	Receiver Inverted DATA out. AC coupled	
13	RD+	Receiver Non-inverted DATA out. AC coupled	
14	V _{EER}	Receiver ground (common with transmitter ground)	Circuit ground is isolated from chassis ground
15	V _{CCR}	Receiver power supply	
16	V _{CCT}	Transmitter power supply	
17	V _{EET}	Transmitter ground (common with receiver ground)	Circuit ground is isolated from chassis ground
18	TD+	Transmitter Non-Inverted DATA in. AC coupled	
19	TD–	Transmitter Inverted DATA in. AC coupled	
20	V _{EET}	Transmitter ground (common with receiver ground)	Circuit ground is isolated from chassis ground

References

1. IEEE standard 802.3. IEEE Standard Department, 2008.
2. Small Form Factor Pluggable (SFP) Transceiver Multi-Source Agreement (MSA).
3. Fiber Channel Draft Physical Interface Specification (FC-PI-2 Rev7.0).
4. Digital Diagnostics Monitoring Interface for Optical Transceivers – SFF-8472.
5. Fiber Channel Physical and Signaling Interface (FC-PH/PH2/PH3).